

# BS5163 NRS

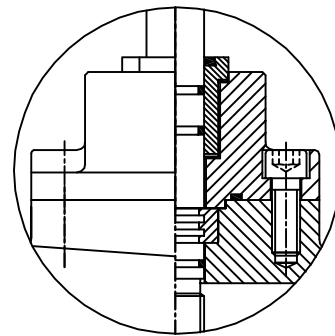
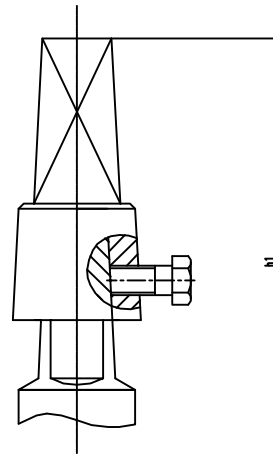
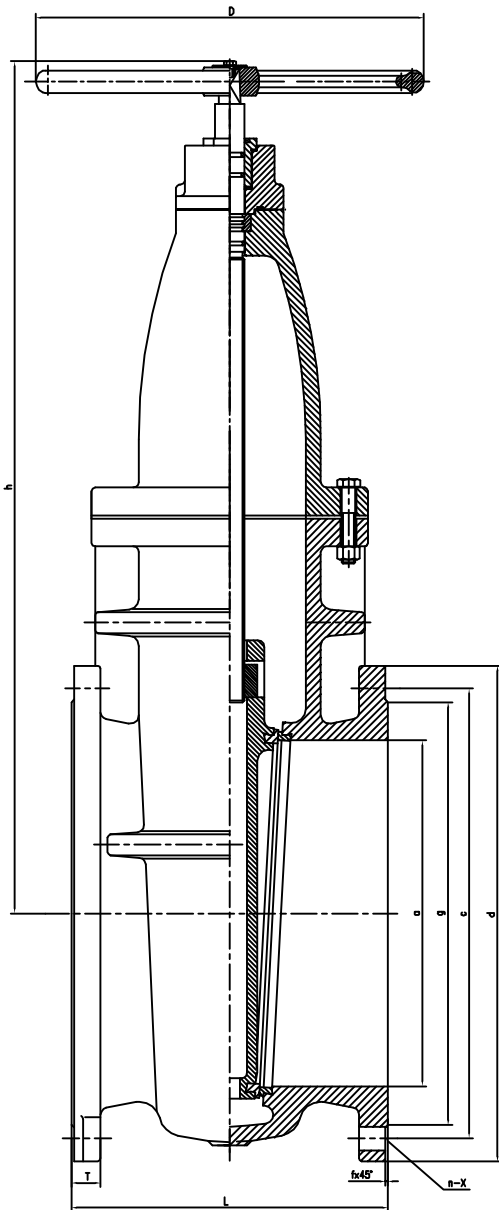
# Metallic seated Cast Iron Gate valve

### SPECIFICATIONS

Size	DN 350 - 600
Class	PN 10 - PN 16
Design	BS 5163
Face to Face	BS 5163 / ISO 5752 3 Series
End Flange	BS 4504 / BS EN 1092
Test	BS 5163

### STANDARD MATERIALS OF MAIN PARTS

ITEM	PART NAME	MATERIAL
1	Body	Ductile Iron
2	Wedge	Ductile Iron
3	Bonnet	Ductile Iron
4	Stem	Stainless Steel 420/431/316
5	Stem Nut	Brass
6	Holding Ring	Brass
7	Sealing Ring	Brass
8	Body Ring	Brass/Bronze
9	Wedge Ring	Brass/Bronze
10	Gland	Ductile Iron
11	Handwheel	Ductile Iron
12	Bonnet Gasket	NBR
13	O Ring	NBR
14	Dust Ring	NBR



### DIMENSIONS

DN	OUTLINE mm				END FLANGE BS PN10/16 mm									
	L	h	D	h1	a	d	c	x-n		T	g	f		
350	381	950	500	1030	350	520	460	470	16- $\phi$ 23	16- $\phi$ 28	26.5	429	4	
400	406	1035	560	1115	400	580	515	525	16- $\phi$ 28	16- $\phi$ 31	28	480	4	
450	432	1165	560	1245	450	640	565	585	20- $\phi$ 28	20- $\phi$ 31	30	530	548	4
500	457	1230	650	1310	500	715	620	650	20- $\phi$ 28	20- $\phi$ 34	31.5	582	609	4
600	508	1390	650	1470	600	840	725	770	20- $\phi$ 31	20- $\phi$ 37	36	682	720	5