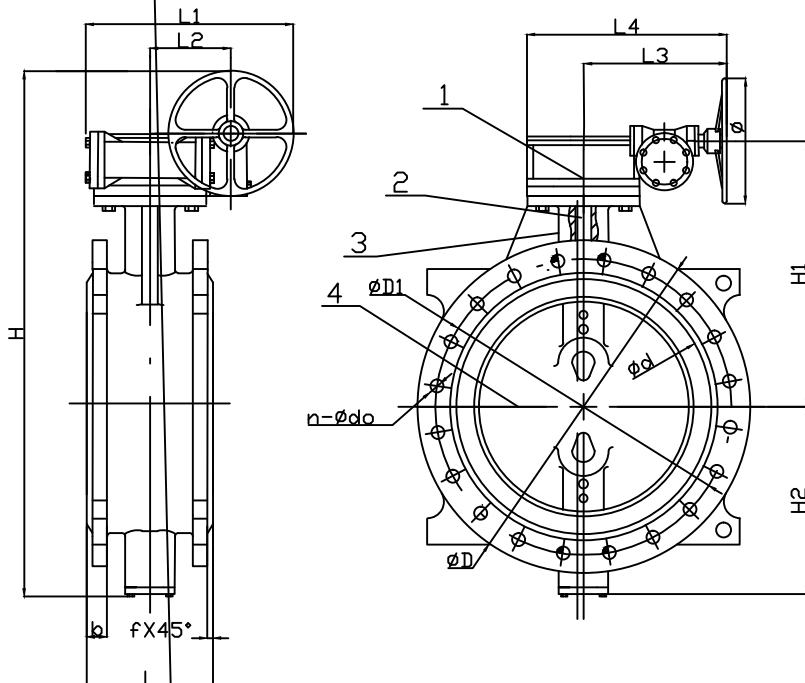


The list about dimension for Double eccentric butterfly valve

Technical specification

Design Standard	API609
Face to Face	API609 MSS-67-1995, ANSI B16.1
Flange Standard	ANSI 125/150 DIN2501 PN10/PN16
Connection Manner	Wafer Connection
Inspection and Test	API598
Nominal Pressure	1.0Mpa, 1.6Mpa, 150Lb
Model of Driving	Hand, electrically-driven, pneumatic and so on model of operation

Item	Parts Name	Material	Standard
1	Gear Box Assembling	A536 (Gear)	A536
2	Stem	SS410	A276
		SS420	A276
3	Body	GG25	A126B
		GGG40	A536
4	Disc	GGG40	A536
5	Bolt	Carbon Steel	A108
		SS304	A276
6	Retainer	WCB	A216
		SS304	A351
7	O-Ring	EPDM	ASTM
		NBR	D20004
		VITON	



Dimension of Body Construction

4"	DN100	27	400								
6"	DN150	29	468								
8"	DN200	30	594								
10"	DN250	31	694								
12"	DN300	31	809								
14"	DN350	31	896								
16"	DN400	31	973								
18"	DN450	35	1019								
20"	DN500	35	1164								
24"	DN600	35	1312								
SIZE		b	f	H	H1						

Dimension of Connection

4"	DN100	180	8-19	220	158	180	8-19	220	156	190.5	8-19	157	
6"	DN150	240	8-23	285	212	240	8-23	285	211	243	8-23	216	
8"	DN200	295	8-23	340	268	295	12-23	340	266	298	8-23	270	
10"	DN250	350	12-23	390	320	355	12-27	405	319	361.9	12-25.4	324	
12"	DN300	400	12-23	445	370	400	12-27	460	370	431.8	12-25.4	381	
14"	DN350	460	16-23	505	430	470	16-27	520	429	476.2	12-28.4	430	
16"	DN400	515	16-27	565	482	525	16-31	580	480	539.7	16-28.4	470	
18"	DN450	565	20-27	615	532	585	20-31	640	548	577.8	16-31.8	533	
20"	DN500	620	20-27	670	585	650	20-34	715	609	635	20-31.8	584	
24"	DN600	725	20-31	780	685	770	20-37	840	720	749.3	20-35.1	692	
SIZE		∅D1	n-∅d0	∅D	∅d	∅D1	n-∅d0			∅D1	n-∅d0		
		DIN PN10				DIN PN16				ANSI150			